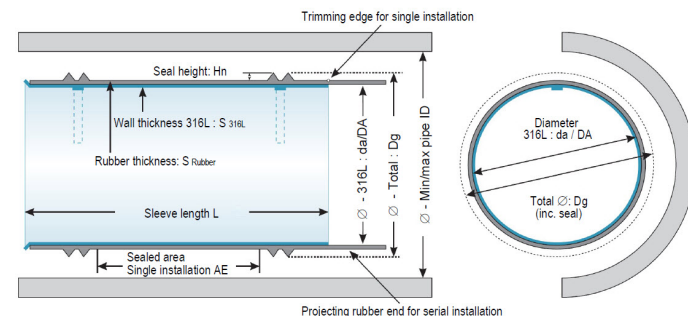
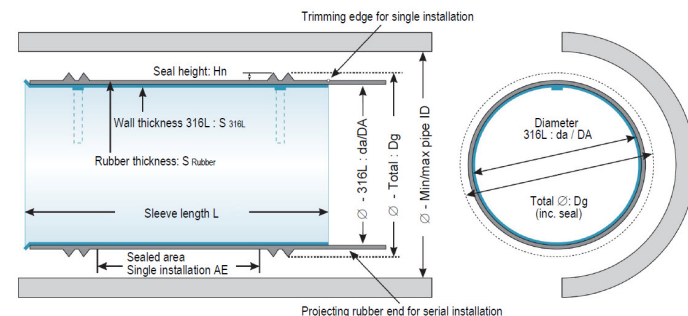


## Technical Data Sheet for QuickLock System



Nominal Diameter	Overall Length	Total Rolled Diameter	Suitable Internal Sizes		Single Sealing Area	QuickLock Packer Required	Wheel Set Required	316L Stainless Steel Sleeve			Rubber Gasket			Total Weight	
			Min Pipe Diameter	Max Pipe Diameter				Wall Thickness	316L Rolled Diameter	Max Expanded Diameter	Rubber Thickness	Rubber Profile Height	Rubber Gasket Size		
Inches	DN	Inches	Inches	Inches	Inches	Part Number	Part Number	Inches	Inches	Inches	Inches	Inches	Label	Lbs.	
<b>6</b>	150	16	5.08	5.79	6.10	<b>12.6</b>	AS1528	RS150	0.03	4.68	5.86	0.07	0.16	DN150	5.07
(6.22)	158	16	5.43	6.14	6.49	<b>12.6</b>	AS1528	RS158	0.03	5.15	6.22	0.07	0.16	DN150	5.51
(6.92)	176	16	5.94	6.73	7.17	<b>12.4</b>	AS1528	RS176	0.04	5.66	6.97	0.07	0.16	DN176	6.61
(7.40)	188	16	6.38	7.28	7.72	<b>12.6</b>	AS1528, AS1537	RS188, RS188	0.04	5.91	7.44	0.07	0.20	DN188	7.05
<b>8</b>	200	16	6.77	7.72	8.15	<b>12.6</b>	AS1528, AS1537	RS200, RS200	0.04	6.26	7.95	0.07	0.20	DN200	7.22
(8.26)	210	16	7.17	8.15	8.62	<b>12.6</b>	AS1528, AS1537	RS210, RS210	0.04	6.81	8.34	0.07	0.20	DN200	7.72
(8.85)	225	16	7.56	8.70	9.17	<b>12.4</b>	AS1537, AS1552	RS225+SPV300, RS225	0.04	7.32	8.93	0.07	0.20	DN225	8.59
(9.44)	240	16	7.95	9.33	9.80	<b>12.4</b>	AS1537, AS1552	RS240+SPV300, RS240	0.04	7.79	9.52	0.07	0.20	DN225	9.26
<b>10</b>	250	16	8.35	9.72	10.28	<b>12.4</b>	AS1537, AS1552	RS250, RS250	0.04	7.83	9.92	0.07	0.24	DN250	9.77
(10.86)	276	16	9.21	10.67	11.22	<b>12.4</b>	AS1537, AS1552	RS275+SPV300, RS275	0.04	8.82	10.94	0.07	0.24	DN276	10.14
(11.26)	286	16	9.61	11.02	11.57	<b>12.4</b>	AS1537, AS1552	RS280+SPV300, RS280	0.04	9.13	11.30	0.07	0.28	DN276	11.90
<b>12</b>	300	16	10.04	11.54	12.32	<b>12.2</b>	AS1537, AS1552	RS250+SPV300, RS300	0.04	9.37	12.01	0.07	0.28	DN300	11.90
(12.40)	315	16	10.63	12.13	12.76	<b>12.2</b>	AS1537, AS1552	RS250+SPV300, RS300	0.05	10.20	12.40	0.07	0.28	DN300	14.55
(12.99)	330	16	11.26	12.59	13.43	<b>12.2</b>	AS15137	RS330	0.05	10.66	13.18	0.07	0.28	DN300	15.43

## Technical Data Sheet for QuickLock System



Nominal Diameter	Overall Length	Total Rolled Diameter	Suitable Internal Sizes		Sealing Area	QuickLock Packer Required	Wheel Set Required	316L Stainless Steel Sleeve			EPDM Rubber Gasket			Total Weight	
			Min Pipe Diameter	Max Pipe Diameter				Wall Thickness	316L Rolled Diameter	Max Expanded Diameter	Rubber Thickness	Rubber Profile Height	Rubber Gasket Size		
Inches	DN	Inches	Inches	Inches	Inches	Part Number	Part Number	Inches	Inches	Inches	Inches	Inches	Label	Lbs.	
<b>14</b>	350	16	12.12	13.43	14.29	<b>12.8</b>	AS15130	RS350	0.05	11.57	13.97	0.07	0.28	DN350	16.09
<b>15</b>	380	16	12.52	14.45	15.20	<b>12.8</b>	AS15130	RS380	0.05	11.97	14.84	0.07	0.28	DN350	17.06
<b>16</b>	400	16	13.74	15.35	16.34	<b>12.2</b>	AS15130	RS400	0.05	12.99	15.98	0.07	0.31	DN400	19.62
<b>18</b>	450	20	14.88	17.24	18.27	<b>15.6</b>	AS15130	RS400+SPV450	0.07	14.45	17.91	0.07	0.31	DN450	35.14
(18.89)	480	20	16.14	18.39	19.29	<b>15.6</b>	AS15130	RS480+SPV500	0.07	15.43	18.89	0.07	0.31	DN450	36.59
<b>20</b>	500	20	17.55	19.17	21.02	<b>15.2</b>	AS15130, AS15131	RS400+SPV500, RS500	0.07	16.85	19.88	0.07	0.35	DN500	36.95
(20.62)	524	20	17.63	19.57	20.94	<b>15.2</b>	AS15131	RS500	0.07	16.77	20.62	0.07	0.35	DN500	38.8
(22.04)	560	20	18.78	21.26	22.36	<b>15.2</b>	AS15131	RS600	0.07	17.91	22.04	0.07	0.35	DN500	44.5
<b>24</b>	600	20	21.18	22.91	24.29	<b>15.4</b>	AS15131, AS15133	RS500+SPV600, RS600	0.07	20.43	23.90	0.09	0.31	DN600	44.5
(25.59)	650	20	23.07	24.88	26.26	<b>15.4</b>	AS15133	RS650	0.07	22.36	25.91	0.09	0.31	DN600	48.5
<b>28</b>	700	19	23.46	26.65	28.62	<b>14.8</b>	AS15133, VP 700-800	RS600+SPV700, RS700	0.07	22.64	28.07	0.11	0.39	DN700	52.98
<b>30</b>	750	19	24.45	28.35	30	<b>14.8</b>	VP 700-800	SPV750	0.07	23.42	29.52	0.11	0.39	DN700	55.56
<b>32**</b>	800	19	28.39	30.71	32.55	<b>14.8</b>	VP 700-800	RS700+SPV800	0.07	27.36**	32.08	0.11	0.39	DN800	59.52

\*\*Special sleeve. Size compressed is 27.36 inches; normally the manhole reduction cone needs to be removed before installation.